



**SYINRO
R1**



THE DELEGATE. THE ICON. THE GLOBAL STANDARD.



SYINRO
R1



A PREMIUM SERVICE ROBOT ENGINEERED
FOR FINE-DINING RESTAURANTS, LUXURY HOTELS,
AND HIGH-END VENUES.

SLEEK CURVES. SMOOTH MOTION.
INTELLIGENT INTERACTION.

ELEVATES YOUR BRAND EXPERIENCE.



BUILT FOR HIGH-END HOSPITALITY

70 CM NARROW AISLE, MOVES FREELY

SILENT OPERATION

PREMIUM MATERIALS

ELEGANT LIGHTING

DESIGNED TO BLEND WITH INTERIORS

A ROBOT THAT FEELS ALIVE.

Smart Voice & Greetings

“Please pickup your Meal”



Celebration Mode

Birthday mode
(Cake delivery + Music)

Interactive Screen Display

“Waiting for your Meal,



Facial animations

Variety of Animated Eyes
(Moving, Idle, Charging etc.)

INTELLIGENT GUEST INTERACTION

INTELLIGENT SERVICE MODES

Direct Delivery Mode

Delivers food or drinks or items to specific tables or rooms with pinpoint accuracy. The robot announces its arrival and waits for the guest to retrieve items before automatically returning.



Cruise & Loop Mode

Perfect for cocktail hours or lounge areas. The R1 circulates on a pre-set path, offering snacks, appetizers, or promotional materials to guests as they mingle.

Celebration Mode

Trigger a specialized "Birthday" or "Anniversary" sequence. The robot plays a celebratory song, displays dynamic facial animations, and delivers the cake directly to the guest of honor.



Reception & Guidance Mode

Stationed at the lobby, R1 greets guests with voice prompts and guides them to their tables, elevators, or conference rooms, reducing staff workload during peak hours.



VERSATILITY FOR EVERY SCENARIO.

Precision Service. Mobile Buffet.
Unforgettable Moments. The Perfect Welcome



FINE-DINING, CAFE & LOUNGE



TABLE-TO-TABLE DELIVERY



WINE & DESSERT SERVICE



HOTELS & RESORTS



LOBBY SERVICE



BANQUET SERVICE



INTELLIGENT AUTONOMOUS DISPATCH

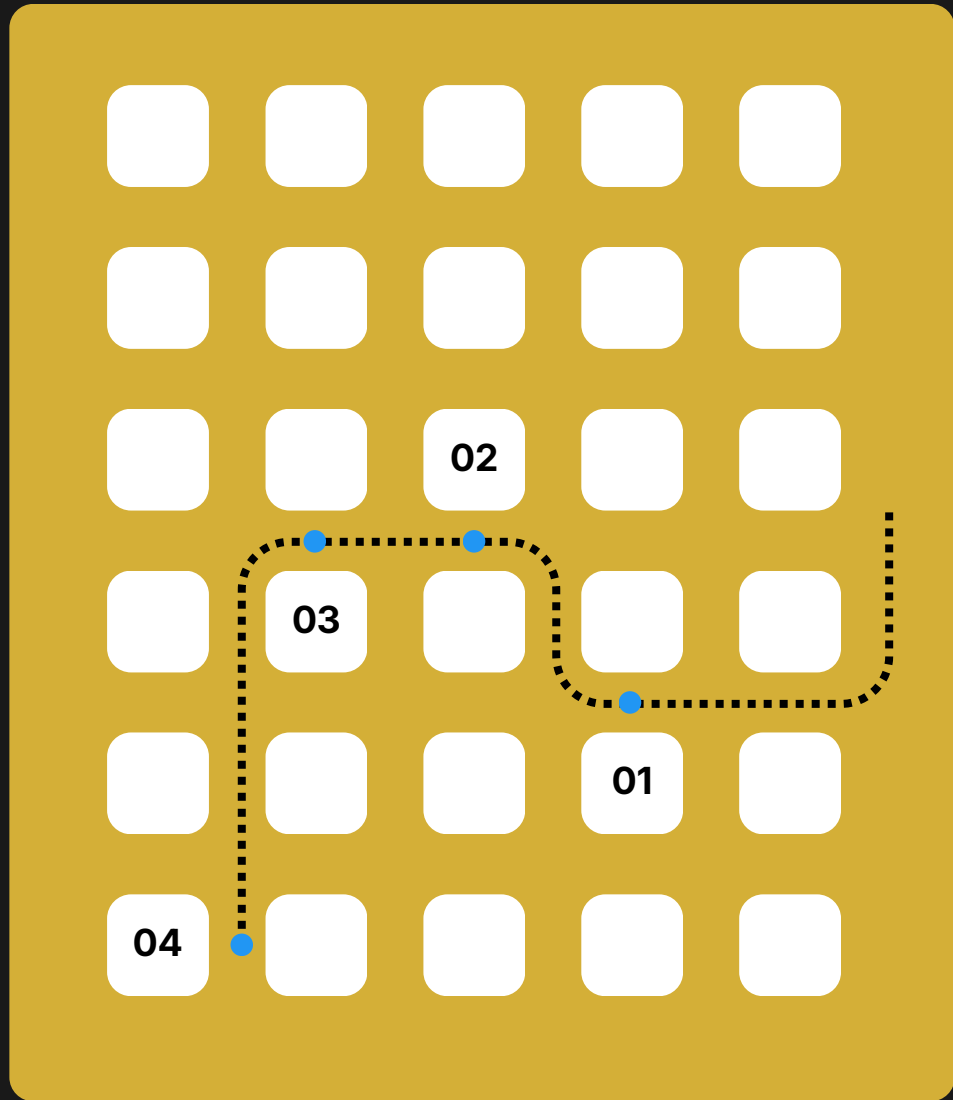


SEAMLESS MULTI-ROBOT COLLABORATION

ADVANCED COLLISION AVOIDANCE.
MAXIMIZED OPERATIONAL EFFICIENCY
NAVIGATES COMPLEX LAYOUTS EFFORTLESSLY
NO CEILING MARKERS REQUIRED
CUSTOM CALIBRATION POSITION



AUTONOMOUS PLANNING PATH



RAPID DEPLOYMENT, TIME SAVING & EFFICIENT

- Automatically plan
- Build Map remotely
- Optimal Distribution Route
- Avoid obstacles

WORLD-CLASS AESTHETICS.

Features Overview

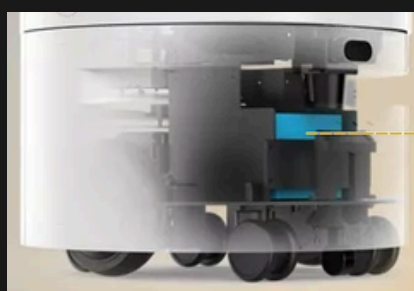
7-inch LCD Touch Screen Control
Expressive Digital Face

Speaker
Clear Voice Prompt

Smart Lighting Effect
LED tray indicators

Lidar
360° obstacle detection

Dual 3d Vision
3d Camera



Long Battery Life (Up to 2000 cy)
& Fast Charging support
High Temperature resistance
& Non-Combustible

A PERFECT BLEND OF BEAUTY AND ENGINEERING.

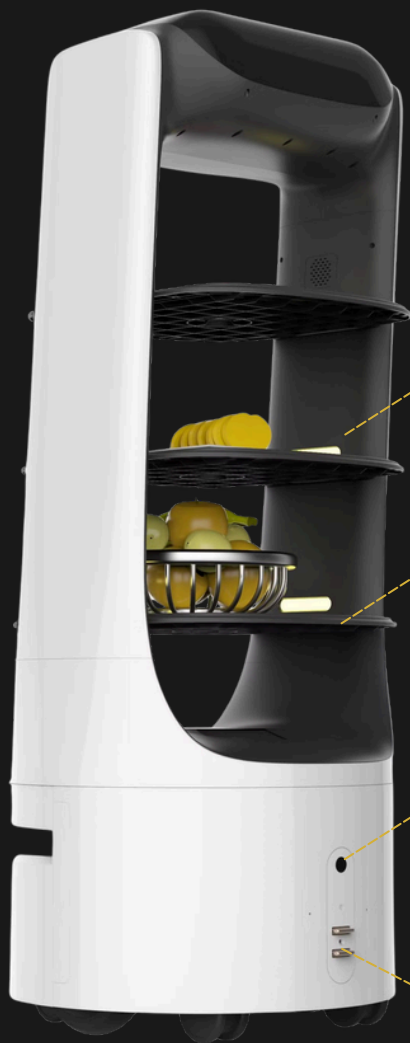
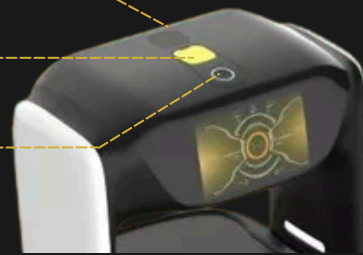
Features Overview

Smart Lighting affect

Emergency Stop

One Touch Return

Auto Return to Task / Kitchen



Smart Lighting Effect
LED tray indicators

Removable tray
Sensors detect plate removal

Infrared Sensors

Auto Docking Pile

Auto Charging
Contact Piece

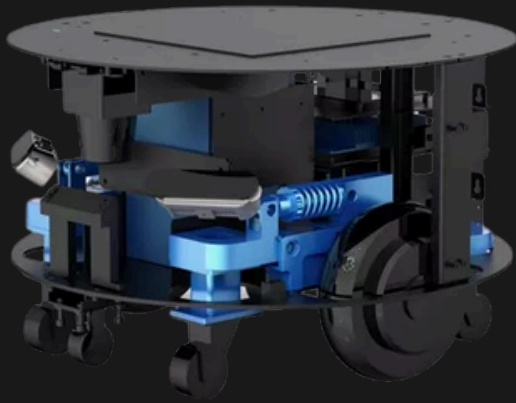


INDUSTRIAL PERFORMANCE



| Design | | Performance | |
|---|--|--|--|
| <ul style="list-style-type: none"> • Dimensions: 500 × 500 × 1290 mm • Weight: 60 kg • Material: ABS + Aviation Aluminum • Trays: 3 Fixed + 1 Storage | | <ul style="list-style-type: none"> • Max Payload: 45 kg • Speed: 0.5–1.2 m/s • Battery: LiFePO4 (25.6V / 25Ah) • Run Time: 10–12 Hours | |
| Navigation | Interaction | | |
| <ul style="list-style-type: none"> • Dual Laser SLAM + Visual SLAM • Dual 3D Cameras • <2 cm obstacle detection • Slope: 5° & Threshold: 10 mm | <ul style="list-style-type: none"> • 07 " HD Touchscreen • Voice Interaction (English/Hindi) • Music Playback (Birthday/Lounge) • Charging: Auto-Dock + Manual | | |

THE “SPORTS CAR” OF SERVICE ROBOTS



Independent suspension

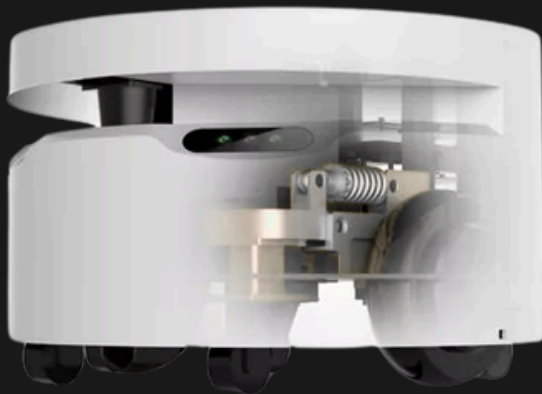
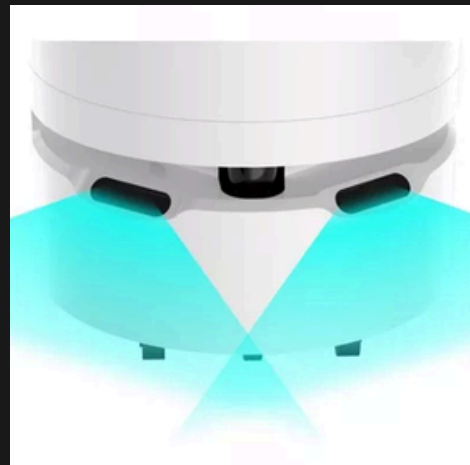
Super Capacity

- Made of Sheet Metal Construction
- Large Capacity of 45 Kgs
- Stable and Undeformed

Dual SLAM Navigation

Laser SLAM + Visual SLAM for unmatched accuracy.

- 2 cm mapping precision
- No ceiling markers required
- Navigates complex layouts effortlessly



Smooth Ride Suspension

Engineered with automotive-grade

- Glides over carpets, thresholds, and uneven tiles
- Prevents spills even with tall glasses
- Perfect for premium dining experiences

THE HERITAGE

Where Manufacturing Excellence Meets Future Tech.

SYINRO is the specialized service robotics division of SYMETRIX INNOVATION.

Founded by Ameet Kumar Agarwal and Nikita Agarwal, our foundation is not in consumer electronics—it is in heavy industrial manufacturing.

With deep roots in precision sheet metal fabrication, we boast complete in-house production capabilities. From advanced CNC Laser Cutting and CNC Bending to Laser welding, precision finishing, and 3D printing, we control every variable of the hardware build.

We don't just assemble robots—we engineer them from the chassis up.

THE VISION

Experience industrial-grade service robotics.

Unlike standard plastic service droids, SYINRO robots are built with automotive-grade stability, ensuring durability without compromising on elegance. By combining robust industrial hardware with advanced neural AI, our mission is to automate the future of hospitality with machines that are as robust as they are refined.

THE SYINRO ECOSYSTEM

Robust. Refined. Ready for service.

SYMETRIX INNOVATION

TAKING YOU FORWARD

The Body

Industrial manufacturing. Steel chassis construction.
Automotive-grade suspension.



SYRO LABS

Intelligence in Motion

The Mind

Advanced neural AI, proprietary SLAM navigation, and
highly secure, closed-loop architecture.



SYINRO

Advanced Robotics

The Interface

The elegant, human-friendly UI, seamless voice
interaction, and premium brand experience.

HEADQUARTERS & FACTORY

A-2/5,6 Mahavir Logiplex,
Kalyan-Sape-Padgha Road,
Near Sawad Naka, Amane,
Bhiwandi, Maharashtra – 421 302

EMAIL

sales@synro.com

DESIGNED BY SYRO LABS

SALES & ENQUIRIES

+91 90934 61000

+91 90934 71000

WEB

www.synro.com



SYINRO

Advanced Robotics

BUILT IN INDIA. BUILT FOR THE WORLD.

SCAN TO BOOK A DEMO



BUILT BY SYMETRIX INNOVATION

EXPERIENCE THE R1 ON VIDEO

